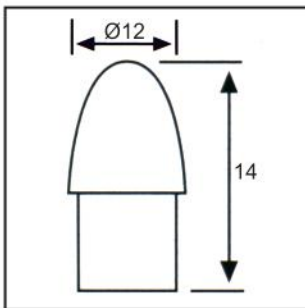
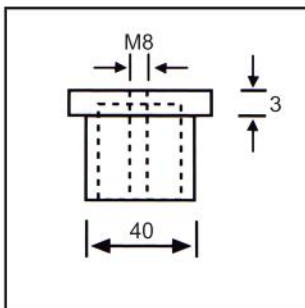


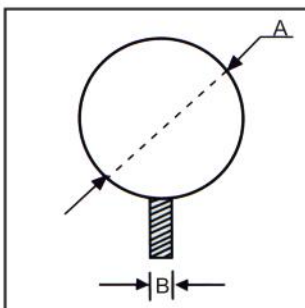
Ref.	Tubo Ø	A	Acabado
25.212.043	Ø43x1,5	3	Inox 316 Pulido
25.212.050	Ø50,8x1,5	2	Inox 316 Pulido



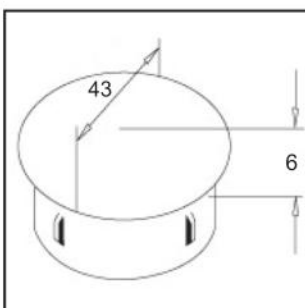
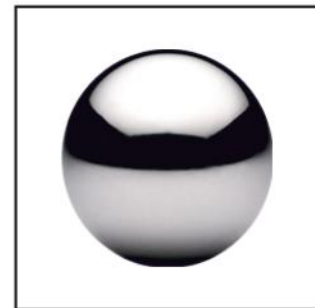
Ref.	Ø	Acabado
25.216.012	12	Inox 316 Pulido



Ref.	Ø	Acabado
25.220.043	43	Inox 316 Pulido



Ref.	A	B	Acabado
25.224.050	50	M8	Inox 316 Pulido
25.224.060	60	M8	Inox 316 Pulido
25.224.070	70	M8	Inox 316 Pulido



Ref.	Ø	Acabado
25.232.043	43	Inox 316 Pulido

